



## Double Pull Brake Lever

## Instruction Manual

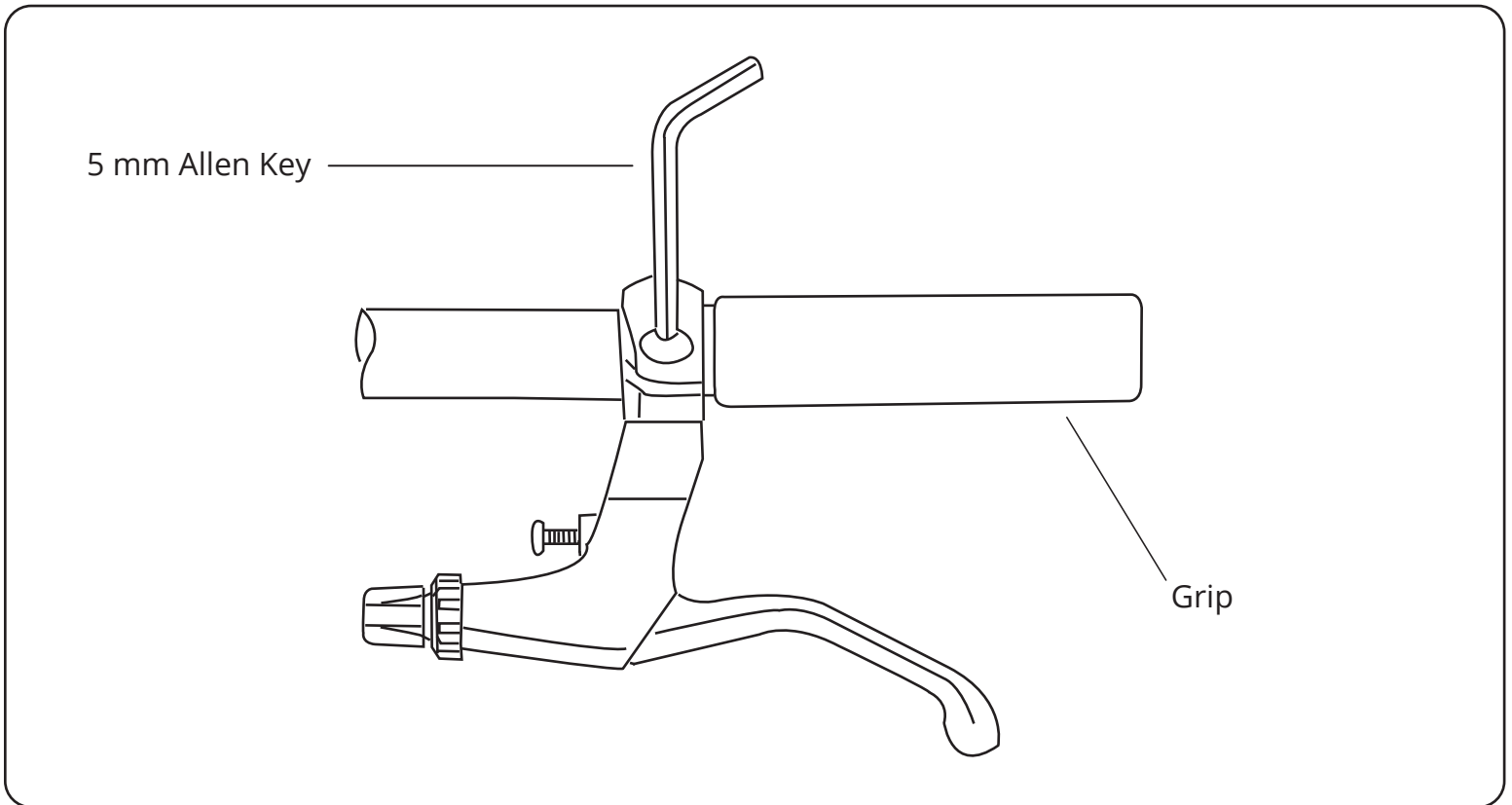
*Please read all instructions before installing and using your brake lever.*

*Be sure to install your brake levers in a position that will be comfortable for your hands to operate them.*

### **WARNING:**



Failure to install brake levers properly may result in serious injury/death and or damage to your bicycle.



## Installation / Use

1. Remove the grips from handlebar
2. Using a 5mm allen wrench, loosen bolt in the brake lever clamp
3. Slide brake lever in place on handlebar
4. Tighten the brake lever clamp between 5 - 7 Nm

***Always check the manufacturer's handlebar specs before installing on carbon handlebars.***